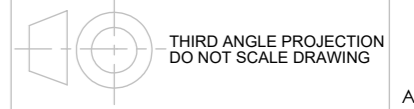
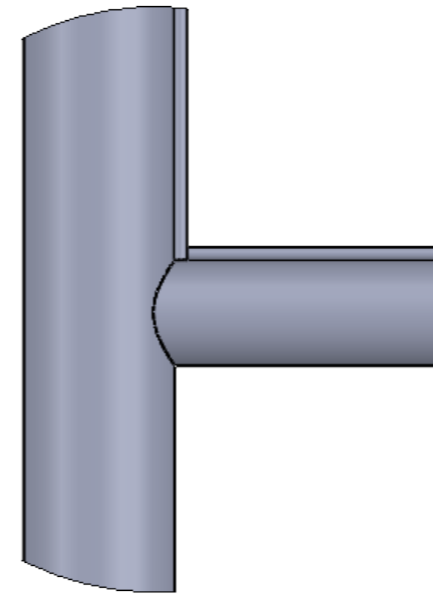


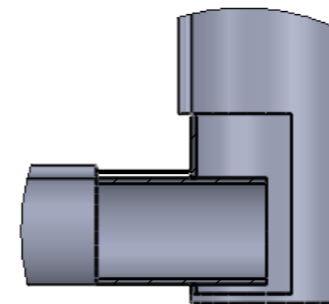
ALL DIMENSIONS IN MILLIMETERS



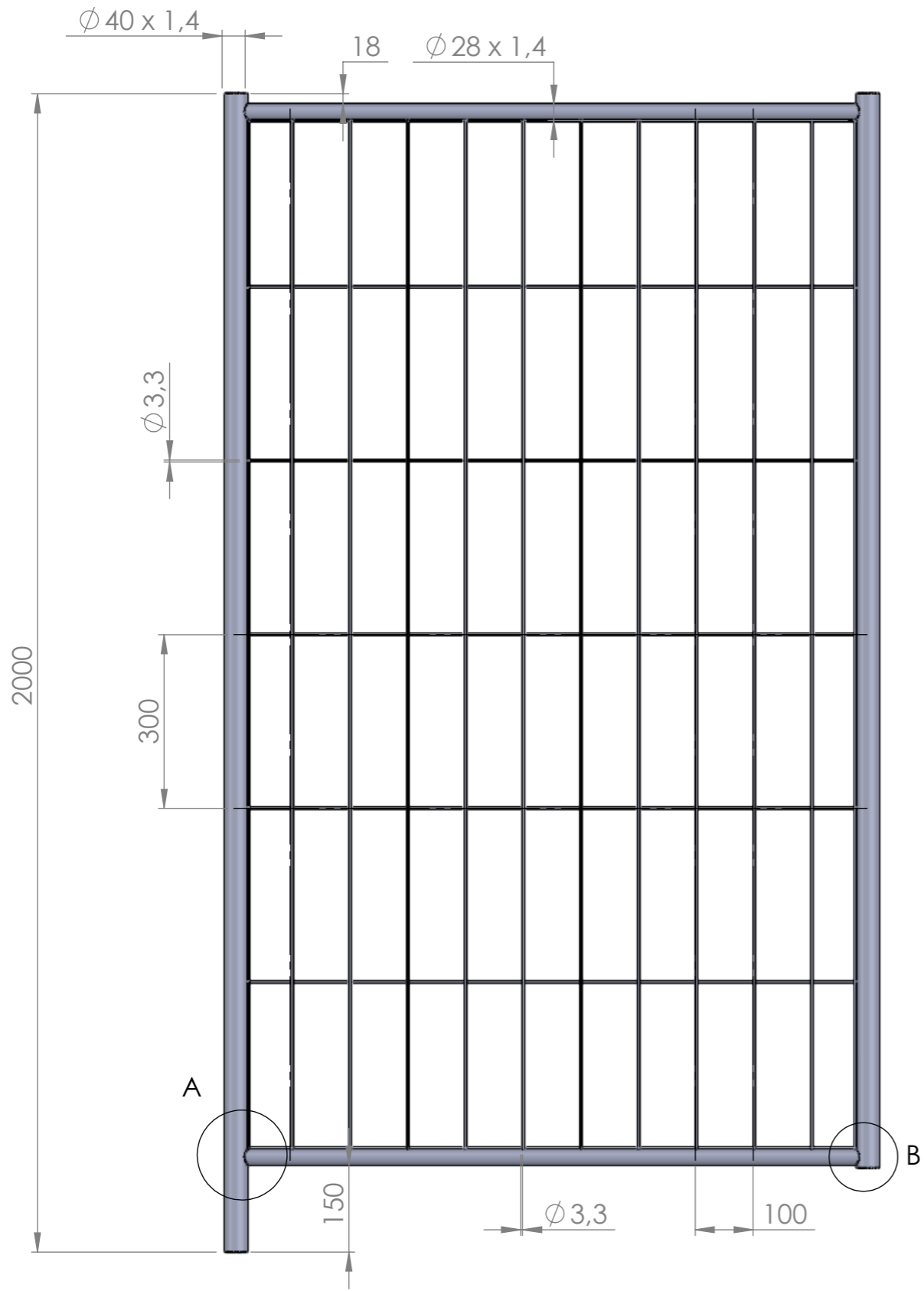
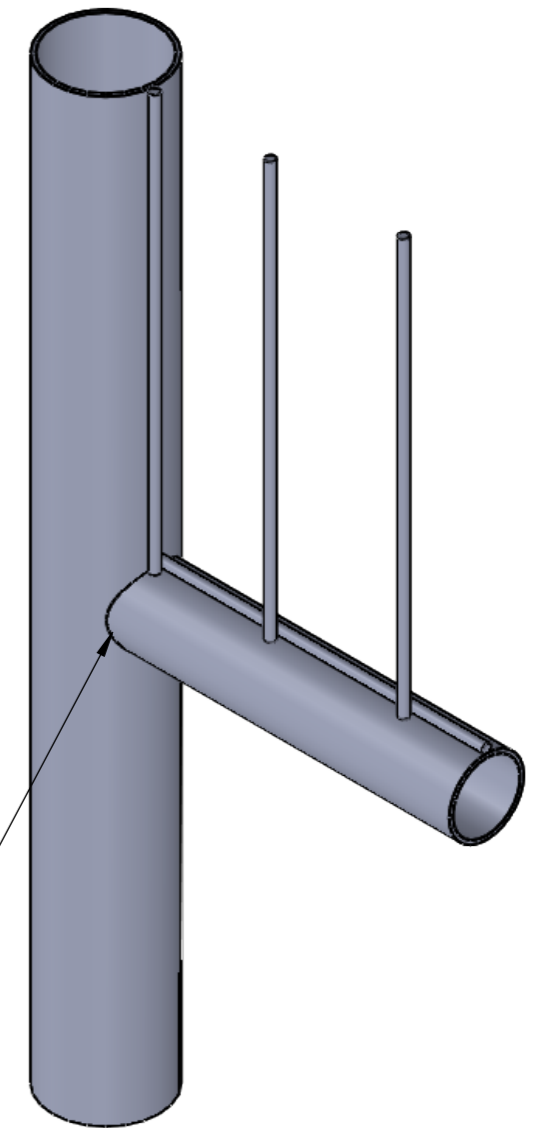
A
(1:2)



B
(1:2)



Isometric view of the connection pipe



TITLE:				SP10-02T Bauzaun Tür	
DRAWN	NAME	SGN	DATE	WEIGHT:	10 kg
CHK'D	BINCZAK		04/02/24		
FINISH:				TOLERANCE:	±5%

www.bauzaun-discount.de	
CODE:	90005
SCALE: 1:10	SHEET 1 OF 1
Revision	