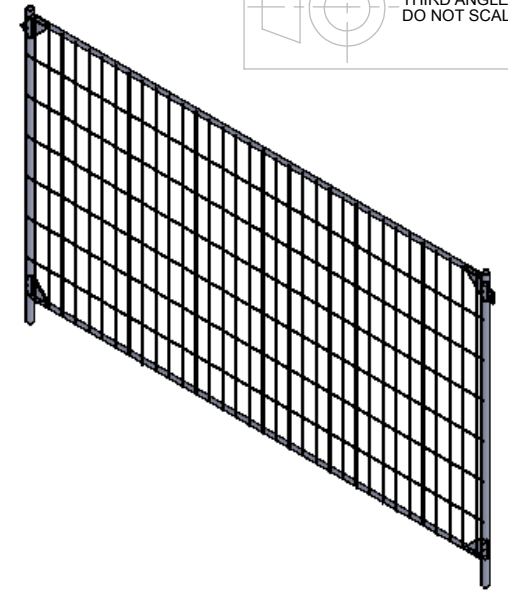
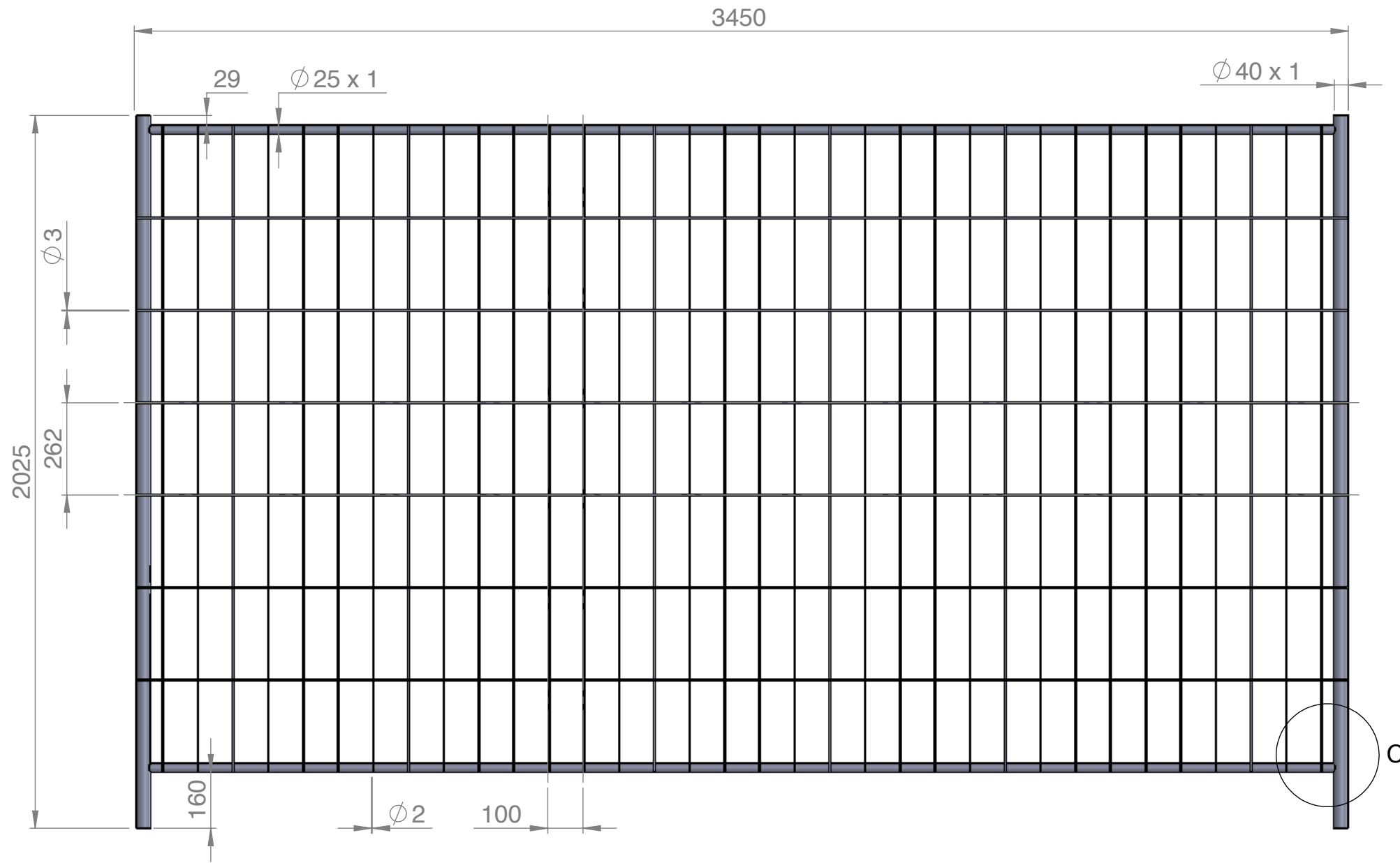
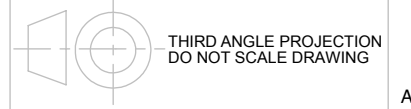
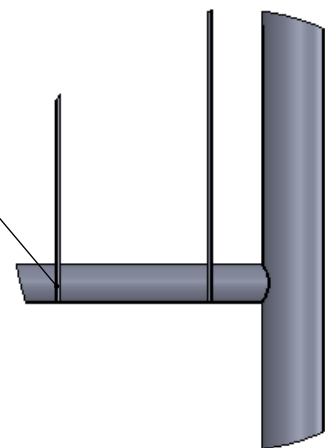


ALL DIMENSIONS IN MILLIMETERS



C (1 : 5)

alle Drähte auf dem Rahmen geschweisst
all wires welded on the frame



TITLE:				Bauzaun-Discount SP2-01BV	
NAME	SGN	DATE	WEIGHT:	11,5 kg	
DRAWN BIŃCZAK		08/08/22			
CHK'D					
FINISH:	PRE GALVANISED		TOLERANCE:	±5%	

www.bauzaun-discount.de

CODE:	90071	Revision
SCALE: 1:15	SHEET 1 OF 1	A3